



For a fast future

FTTx-civil engineering

We know glass fibre inside out

Wide-ranging product portfolio, system solutions and technical expertise

Working from home in the cloud, recharging your electric car, autonomous driving using the 5G mobile network – fibre optic is the digital basis for real-time data transmission. Whether you need fibre-optic cables, data cables or system solutions for broadband and telecommunications – Faber is your one-stop shop.

Faber offers broadband solutions for many applications, such as fibre to the home (FTTH), mobile data (5G) and data centres. Our product portfolio offers a wide selection of mini cables, micro cables, standard cables, universal cables, indoor cables and cables for data transmission. They enable the implementation of any project – from FTTH connection of multi-storey residential or office buildings, through to data centres.

Applications under the spotlight

Flexible solutions for broadband and telecommunications



Wide range of fibre-optic cables and components

Our range comprises more than 200 products. Many products are available directly from stock, enabling us to ensure delivery times of 24 to 72 hours.



System components for data centres

For data centres of all sizes, we offer our customers cabinets, enclosures, air-conditioning panels, power supplies and tools.



System components for fibre-optic cables

Wide range of products for building entry ducts and junction boxes and fibre-optic and copper patch cables.



Everything from a single source

Whether you need fibre-optic cables, data cables or system solutions for FTTH (fibre to the home), mobile data (5G) or data centres – we are your one-stop shop.

Our warehouse is your warehouse

Our storage area of 164,000 m² provides approx. 75,000 km of cables and lines, worth around €160 mil. This makes us one of Europe's largest cable distributor with one of the biggest power and optical fibre cable warehouses in the whole of Europe.



The cornerstones of our corporate strategy:

- immediately available goods
- extraordinary product variety
- excellent logistics
- customised services
- strong partners

SCAN ME!



FTTx-civil engineering – Products

Microducts / multiducts, subducts and accessories

Faber offers a whole range of products for the expansion of FTTx networks. Our wide stock range of microducts (7/4, 10/6, 12/8, 14/10, 16/12, 20/15) and subducts ensures reliable material supply for your projects at short notice.

Accessories like

- connectors
 - end stops
 - reducer
 - underground warning tapes
 - cable marking band
 - gas / water stops
 - branching aids
 - lubricants (FAB10 / FAB20)
- complete the assortment.



online shop



Polycarbonate manholes and accessories

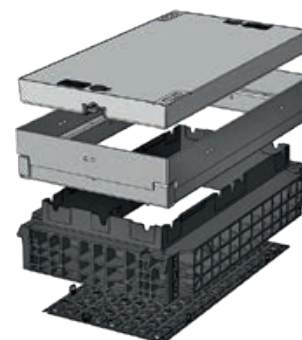
Langmatz polycarbonate manholes are a durable and flexible alternative to concrete manholes with many practical advantages.

Faber offers a variety of different sizes (full package with 2x frame 220 mm, 1x frame 70 mm, height adjustment, hexagonal locking) in the stock range:

- Faber® Langmatz® EK378, clear dimensions: 400 x 800 mm
- Faber® Langmatz® EK478, clear dimensions: 400 x 1165 mm
- Faber® Langmatz® EK628, clear dimensions: 400 x 1600 mm
- Faber® Langmatz® EK338, clear dimensions: 550 x 1165 mm
- Faber® Langmatz® EK648, clear dimensions: 550 x 1400 mm
- Faber® Langmatz® EK508, clear dimensions: 800 x 1165 mm



online shop



Langmatz 



Langmatz 

Optical distribution cabinets

Made of high quality polycarbonate, especially weather resistant and well recyclable, the Langmatz fibre optic network distributors are perfectly designed for Gigabit Passive Optical Network (GPON) and Point to Point-Ethernet (PtP) fibre optic access networks.

- NVT 168 (168 outlets / max. 3168 splices)
- NVT 96 (96 outlets / max. 1728 splices)
- NVT 48 (48 outlets / max. 864 splices)
- NVT 24 (24 outlets / max. 432 splices)



online shop

FTTx-civil engineering – Products



Fibre optic closures FOCUS ODC2

Mechanical closures for up to 1008 fibre optic splice connections for easy and fast connection of fibre optic cables. The assembly requires no special tools. Modular splice-cassettes and sealing systems provide maximum flexibility.



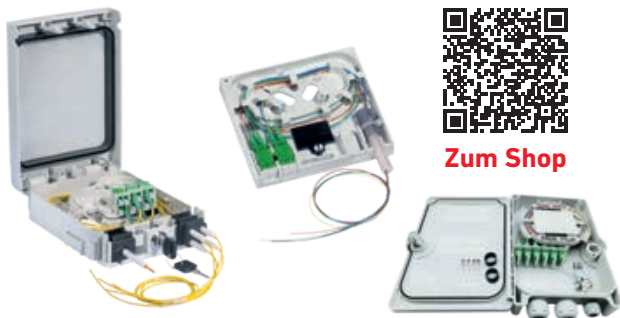
[online shop](#)

Building entry for fibre optic cables

Whether the building has a basement or not, whether installation is above or below ground; Faber's product range offers comprehensive solutions.



[online shop](#)



[Zum Shop](#)

Customer premise entry

The Faber APL product series meets all requirements for an attractive design and extreme robustness. Pre-assembled boxes with splice-ready adapters and pigtails (4 – 48 fibres) minimize the installation effort on site.

ODF splice boxes – 96 fibres – LC/APC (19")

The Faber ODF splice box, equipped with 48 duplex LC/APC adapters and 96 LC/APC singlemode pigtails, terminates a total of 96 fibres (LC/APC) on one rack unit (U). The front panel can be folded down and the adapters are angled. With a drawer that can be swiveled to the right or left, quick and easy assembly is ensured.



[online shop](#)



[online shop](#)



Locating, measuring and splicing technology

- TEMPO Omnimarker and Markerlocator TEMPO™ EML-100 MARKER MATE
- Fusion Splicer – Precision Core Alignment Optical Fusion Splicer
- Multifunctional platform with optical time domain reflectometer NETPEPPERS Fibre 1000 Pro OTDR
- Launch fibre for OTDR measurement NetPeppers® FUTURA

Additional accessories such as splice protection, fibre optic patch cables, Installation and cleaning material can also be found at:

shop.faberkabel.de/en



Fibre optic cables – for broadband expansion

MINI CABLES

Mini Fibre Optic Cable

A-DQ2Y nx12 G.657A1/G.652D



NO. OF FIBRES: 12 to 288, from 12/8 to 20/15 microduct

APPLICATION: This micro cable is used in microducts, it is installed by air blowing. The cable diameter and microtube dimensions must be matched to each other.

Mini Fibre Optic Cable

A-DQ2Y nx24 G.657A1/G.652D 200 μ



NO. OF FIBRES: 96 to 576, from 12/8 to 20/15 microduct

APPLICATION: This micro cable is used in microducts, it is installed by air blowing. The cable diameter and microtube dimensions must be matched to each other.

Mini Fibre Optic Cable

A-DQ2Y nx12 G.657A1/G.652D 200 μ

UTL



NO. OF FIBRES: 144 to 288, from 14/10 to 20/15 microduct

APPLICATION: This micro cable is used in microducts, in which a maximum number of fibres are to be placed. They are installed by air blowing. The cable diameter and microtube dimensions must be matched to each other.

Mini Fibre Optic Cable

A-DQ4Y nx12/24 G.657A1/G.652D 200 μ

UTL



NO. OF FIBRES: 96 to 288, from 12/8 to 20/15 microduct

APPLICATION: This micro cable with polyamide outer sheath is used in microducts, in which a maximum number of fibres are to be placed. They are installed by air blowing. The cable diameter and microduct dimensions must be matched to each other.

MICRO CABLES/FIBER UNIT (EPFU)

Micro Fibre Optic Cable

A-D(ZN)2Y 1xn G.657A1/G.652D
for 7/4 microduct (200 μ) or 10/6 microduct



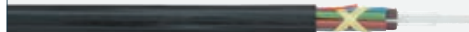
NO. OF FIBRES: 4 to 24

APPLICATION: This micro cable is used in microducts with approx. 4 mm or 6 mm inside diameter, they are installed by air blowing.

Micro Fibre Optic Cable

A-DQ2Y nx12 G.657A1 200 μ
for 10/6 microduct

UTL



NO. OF FIBRES: 24 to 96

APPLICATION: This micro cable is used in microducts with approx. 6 mm inside diameter, they are installed by air blowing or pushing in. The compact design of the UTL series enables a maximum number of fibres.

Fiber Unit (EPFU) 1xn G.657A1

for \leq 7/4 microduct

UTL



NO. OF FIBRES: 2 to 12

APPLICATION: This micro cable is used in microducts with inside diameter \leq 4 mm, they are installed by air blowing or pushing in.



Mini cables



Micro cables

Recommended cable/microduct combinations



			Recommendation for microduct dimension (outside Ø / inside Ø)							
			OD (mm)	No. of fibres	7/4	10/6	12/8	14/10	16/12	20/15
EPFU (Fiber Unit)	EPFU 1x2	UTL	1,2	2	✓					
	EPFU 1x4	UTL	1,2	4	✓					
	EPFU 1x6	UTL	1,4	6	✓					
	EPFU 1x8	UTL	1,6	8	✓					
	EPFU 1x12	UTL	1,8	12	✓					
MICRO CABLES	Micro 1x4		2,5	4	✓	✓				
	Micro 1x6		2,5	6	✓	✓				
	Micro 1x12		2,5	12	✓	✓				
	Micro 1x24		2,8	24	✓	✓				
	Micro 1x4		3,8	4		✓				
	Micro 1x6		3,8	6		✓				
	Micro 1x12		3,8	12		✓				
	Micro 1x24		4,1	24		✓				
	Micro 1x12		4,4	12		✓				
	Micro 2x12	UTL	4,4	24		✓				
	Micro 4x12	UTL	4,4	48		✓				
	Micro 6x12	UTL	4,4	72		✓				
	Micro 8x12	UTL	4,6	96		✓				
	MINI CABLES	Mini 1x12		5,5	12			✓		
Mini 2x12			5,5	24			✓			
Mini 4x12			5,5	48			✓			
Mini 6x12			5,5	72			✓			
Mini 8x12			6,2	96			✓	✓		
Mini 12x12			8,0	144				✓	✓	✓
Mini 16x12			9,0	192					✓	✓
Mini 24x12			9,4	288					✓	✓
Mini 12x12		UTL	6,2	144			✓	✓		
Mini 24x12		UTL	8,1	288				✓	✓	✓
Mini 8x12 PA		UTL	5,6	96			✓	✓		
Mini 12x12 PA		UTL	7,2	144				✓	✓	
Mini 24x12 PA		UTL	8,0	288				✓	✓	✓
Mini 4x24			6,6	96			✓	✓		
Mini 6x24			6,6	144			✓	✓		
Mini 8x24			7,6	192				✓	✓	
Mini 9x24			8,2	216				✓	✓	✓
Mini 12x24			10,0	288					✓	✓
Mini 16x24			11,8	384						✓
Mini 18x24			11,8	432						✓
Mini 24x24		UTL	9,8	576					✓	✓
Mini 24x24			11,8	576						✓
Mini 4x24 PA			6,2	96			✓	✓		
Mini 6x24 PA		UTL	6,2	144			✓	✓		
Mini 8x24 PA		UTL	7,2	192				✓	✓	
Mini 9x24 PA		UTL	7,8	216				✓	✓	
Mini 12x24 PA		UTL	9,4	288					✓	✓
Mini 16x24 PA		UTL	11,2	384						✓
Mini 18x24 PA		UTL	11,2	432						✓
Mini 24x24 PA		UTL	11,2	576						✓

UTL – UltraThinLine – the extra thin version for a maximum number of fibres and optimised air blowing performance. | Other cable versions available on request.

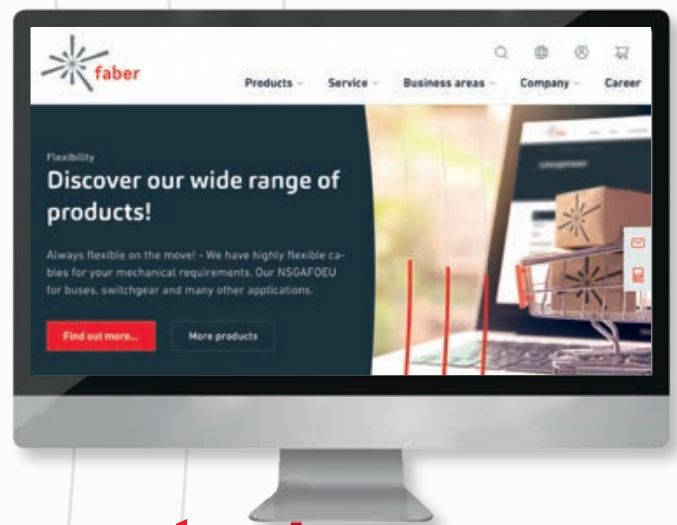
Faber-B2B-Webshop!

- more extensive product portfolio with all new products at a glance
- live stock and price check
- online document archive
- cable calculator
- and many other benefits:
 - drum availability notification online
 - discounted overview of remaining lengths
 - Excel order list upload

Connect your ERP system directly over the **Open Catalog Interface (OCI)**!



You can also visit us on our YouTube channel!



SCAN ME!



Your contact

Kai Theile

Head of Business Unit

T +49 151 26319109
KTheile@faberkabel.de

Anna Rathner

Sales

T +49 681 9711-252
ARathner@faberkabel.de

Dominik Kreutzberg

Key Account

T +49 171 2142216
DKreutzberg@faberkabel.de

Volker Schramm

Sales & Technology

T +49 681 9711-250
VSchramm@faberkabel.de

Sven-Markus Schankola

Sales

T +49 681 9711-253
SMSchankola@faberkabel.de

Dirk Walter

Purchasing

T +49 681 9711-143
DWalter@faberkabel.de

Tobias Himbert

Sales

T +49 681 9711-251
THimbert@faberkabel.de

Andreas Beyer

Key Account

T +49 172 6645871
ABeyer@faberkabel.de

Lena Greff

Purchasing

T +49 681 9711-213
LGreff@faberkabel.de



Klaus Faber AG

Headquarters | Europaallee 33 | 66113 Saarbrücken | Germany

T +49 681 9711-0 | info@faberkabel.de

Get to know more: www.faberkabel.de/en

Version: 03/2024